



**User's Manual Computerized Dew
Annihilator
(Model RCDA-2)**



Copyright Oct 23 2016

User's Manual
for the
Astro-Smart
Computerized Dew Annihilator
(Model RCDA-2)

Contents

A.	Overview	2
B.	Features	5
C.	Contents of Box.....	6
D.	Input / Output Power Specifications	7
E.	RCDA-2 Front Panel And Connector Diagram.....	8
F.	Basic Functionality	9
G.	BootUp: Default.....	9
H.	Summary Keypad Entry Commands (System Control).....	10
I.	Accessories.....	11



astro-smart.com

Providing the Astronomical Community with Premier Products, Services, and Training

Oct 2016

A. Overview

The **RCDA-2** can be setup with your telescope for troublefree operation controlled by the computerized on screen menu and key button interface.

Astro-Smart is the innovator of this elegant *solution to your dew problem*. The **Computerized Dew Annihilator (Model: RCDA-2)** is one to the most advanced yet modest dew controllers made available to the amateur or professional Astronomer. **The Computerized Dew Annihilator (Model: RCDA-2)** is designed to be used with any make or model of telescope. Whether you have a refractor, newtonian, schmidt-cassegrain, or a ritchey-chretien, the **RCDA-2** will solve your dew problems while informing you every step of the way. Its like having a hired dew specialist posted at your telescope 24/7.

The **RCDA-2** is designed for multiple scopes with high current demands(Upto 16-20 Amps) targeted to be used with this one device. The Standard for most dew controllers is 10 Amps which is the foundation of our main line. The RCDA-2 offers users the following benefits.

1. More Heat Demand.
2. Support for an Array Of Dew Straps To Fit Multiple Scopes(Small, Medium and Large).
3. Fitted for More Than One Scope Needing Only 1 unit For Control.
4. Plenty of Power Reserve if needed For 1 Scope.
5. Standalone Computer Control With Simple Menu Button Interface.
5. Supply Heat Power upto 20 Amps.
6. Low Cost.

In the following picture you can see **RCDA-2** system with common 4 heat channels, LCD Display, User Button Interface and Power supply input.



astro-smart.com

Providing the Astronomical Community with Premier
Products, Services, and Training

Oct 2016



**Figure 1: Computerized Dew Annihilator
(RCDA-2)**

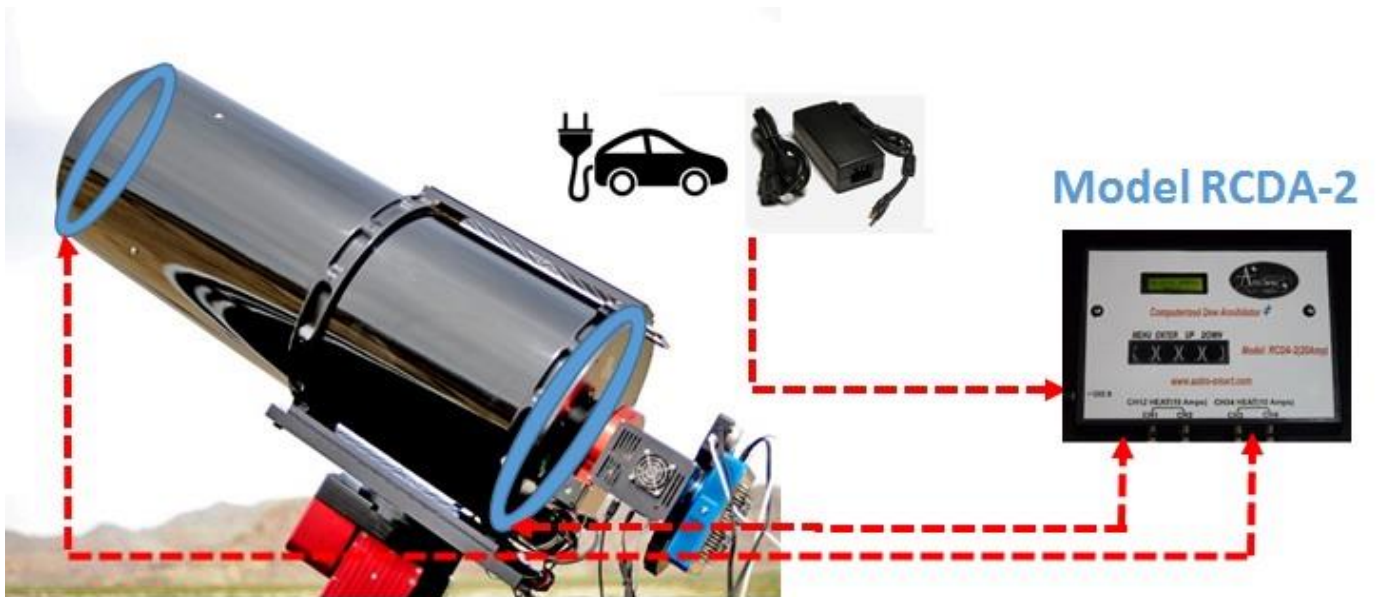


astro-smart.com

Providing the Astronomical Community with Premier Products, Services, and Training

Oct 2016

Typical Configurations for the RCDA-2 is shown below on a ritchey-chretien but can be used with any reflector, refractor, newtonian or schmidt-cassegrain telescope.





astro-smart.com

Providing the Astronomical Community with Premier Products, Services, and Training

Oct 2016

B. Features

Since, the inception of this unique product at Astro-Smart, the **RCDA-2** was many years in the making, over long periods in astronomy using existing products on the market to control dew, identifying their weaknesses and limitations making the product you see before you. The **RCDA-2** is finally here!!! The Astro-Smart **Computerized Dew Annihilator** (Model **RCDA-2** is designed to be user friendly, serviceable, elegant and reliable and include the following features shown below:

1. ***Worry Free Warranty Program For Life Of Product Sale.***
2. ***Full Computerized Dew Control Solution.***
3. ***4 Manual Selected Output Port Heat Channels User Control Capable of 240 Watts(12V, 20Amps). V straps....Astro-Smart, Astro-Zap, Kendrick, etc. (16 Amp Version Available At Lower Cost)***
4. ***Variable Power Control Duty Cycle 0-100%, 1.5KHz. Patented Asto-Smart Wave Cancellation Method And Pulse Width Modulation(PWM) for Efficient Heat Output Tailored for Extreme Dew Removal, Reduced Wave Interference with CCD Imaging and Conservation of Power Drawl.***
5. ***Updatable Firmware and Standalone Software GUI Interface.***
6. ***High quality design employs multi-layer PCB form factor and only the best quality components with conformal coatings for outdoor use.***
7. ***Void of RFI(Radio Frequency Interference) protected to enhance Astro-Imaging .***
8. ***Price point set below development cost for such a system while providing more features.***

The Astro-Smart Computerized Dew Annihilator (**RCDA-2**) was designed with the same Astro-Smart USER-Friendly design philosophy as all our other products:

- Usable
- Serviceable
- Elegant
- Reliable
- Build with burn in time testing before ship.
- ... USER-Friendly



astro-smart.com

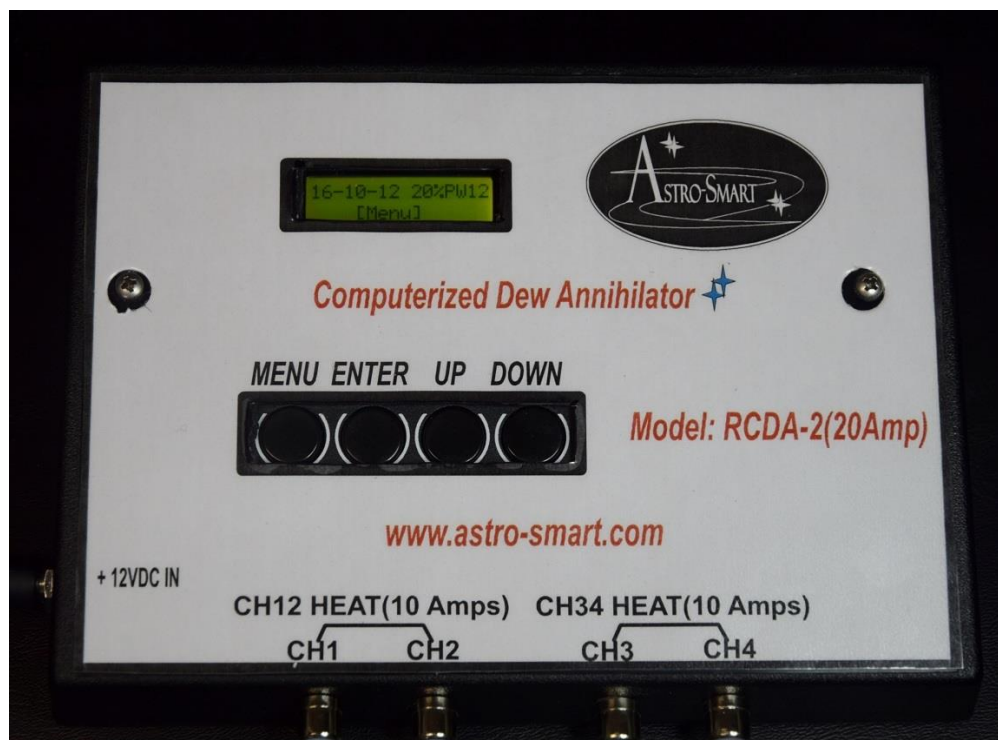
Providing the Astronomical Community with Premier
Products, Services, and Training

Oct 2016

C. Contents of Box

The package contents Of RCDA-2 are shown below:

- 1. RCDA-2 Dew Controller System*
- 2. One CD with user manual, Videos, Tutorials and Astro-Smart Sales Brochures.*
- 3. Velcro Straps*





D. Input / Output Power Specifications

The **RCDA-2** requires the following:

- At a minimum of 12 Volts DC at 3.3 amps a 2.5mm DC power connector on your AC/DC supply. Based on the 4 channel configuration, the **RCDA-2** is rated at 10 Amps per duplexed channel or 20 Amps total for all 4 channels. Ie. Ch1-2 10 Amp max + Ch3-4 10 Amp max for a total of 20 Amps at 12 VDC which gives a variety of heat strap configurations possible. A power supply rated at 12 VDC and 20 Amps rms is the ideal configuration which astro-smart recommends and provides as a purchase option.

Note: This current drawn through the **RCDA-2** is dependent on the resistance of each dew strap being used with the **RCDA-2**. The total current for all the dew straps must not exceed the power supply current rating.

The total resistance of all the dew straps used with the iDDHM must follow this equation for SAFE operation:

$$\frac{\text{Current Rating of Power Supply}}{\text{Voltage output of Power Supply}} = \frac{1}{R_{\text{strap 1}}} + \frac{1}{R_{\text{strap 2}}} + \frac{1}{R_{\text{strap 3}}} + \frac{1}{R_{\text{strap 4}}}$$

Astro-Smart assumes no responsibility if this warning is not heeded.

- Center positive voltage, sleeve ground, see Figure 2.

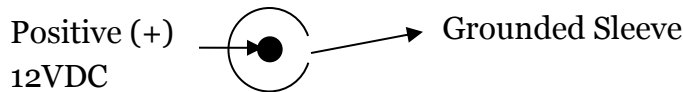


Figure 2 DC power plug

- Uses dew straps manufactured by other astronomical vendors.
- **Note:** Astro-Smart recommends you buy our certified tested power supplies for this product. Users can buy and connect their own power supplies to this product, but they do so at their own risk.



astro-smart.com

Providing the Astronomical Community with Premier Products, Services, and Training

Oct 2016

E. RCDA-2 Front Panel And Connector Diagram

- **Computerized Dew Annihilator (Model- RCDA-2)** Configuration . See Figure 3 below.

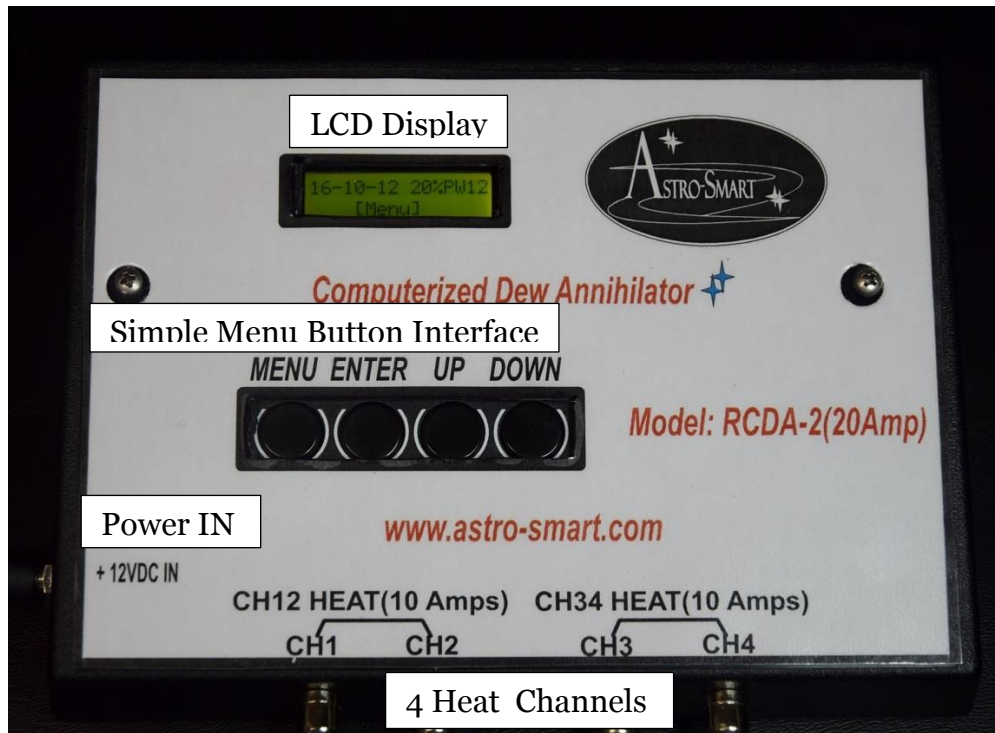


Figure 3 RCDA-2 Overview Model (2016).



astro-smart.com

Providing the Astronomical Community with Premier Products, Services, and Training

Oct 2016

F. Basic Functionality

The user can watch as the **RCDA-2** adjusts heat and controls dew on your telescope based on humidity, dew point, local ambient and temperature differential from optical interfaces with the surrounding environmental conditions. The automatic bootup default control summary features are explained below with user override options for manual control during standard operation described below in next section.

G. BootUp: Default

1. Fix all connections to your **RCDA-2** as depicted in Figure 3. This includes heater straps CH1/CH2/CH3/CH4 and power supply interface as specified in Figure 1, Figure 2.(Expected Def Operation.)
2. Turn On power switch from center(OFF) to Up position(ON).. Boot up sequence. All functions are a go when the “Beep” is heard.

Note:”The RCDA-2 requires a complete circuit meaning the heat straps being plugged in to provide current drawl and heat applied to the optics.”

Online video demo's of operation can be found on our website at :

http://www.astro-smart.com/index.php?p=1_24



astro-smart.com

Providing the Astronomical Community with Premier Products, Services, and Training

Oct 2016

H. Summary Keypad Entry Commands (System Control)

Note: Use keypad entry instructions below when using buttons on keypad on standalone RCDA-2 keypad.

Note: Picture examples of modes are shown below of what to expect when pressing the keypad before the system responds to the user action invoked.

- **'Mode'** button will Exit Any Level 1 layer up in menu system.
- **'Enter'** button when pressed will enter power mode.
- **'Up or Down'** button will toggle through power levels indicated below.
 - *CHs_OFF*
 - *20%PW12*.--→20% PWM channels 1 and 2
 - *40%PW12.*
 - *60%PW12.*
 - *80%PW12*
 - *100%P12*
 - *20%PW34*.--→20% PWM channels 3 and 4
 - *40%PW34*
 - *60%PW34*
 - *80%PW34*
 - *100%P34*
 - *20%P1-4.* --→20% PWM channels 1, 2,3 and 4
 - *40%P1-4.*
 - *60%P1-4.*
 - *80%P1-4*
 - *100%1-4*
 - *20401-4*.--→20% Channels 1 and 2, 40% channels 3 and 4
 - *20601-4*
 - *20801-4*
 - *40601-4*
 - *40801-4*.--→40% Channels 1 and 2, 80% channels 3 and 4

*Other modes can be added upon user request to firmware.



astro-smart.com

Providing the Astronomical Community with Premier
Products, Services, and Training

Oct 2016

I. Accessories

Optional Accessories:



Another convenient accessory that Astro-Smart offers is Two versions of power supplies based on your dew heating needs for 10Amp 12 VDC supplies([PC12V10AMP-D](#)).



Another convenient accessory for your **RCDA-2** that Astro-Smart offers is Two versions of power supplies based on your dew heating needs for 6 Amp or 10Amp 12 VDC supplies([PS12VXAMP-D](#)).



Another convenient accessory for your **RCDA-2** that Astro-Smart offers is Two versions of power supplies based on your dew heating needs for 30Amp 12 VDC supplies([PS12V30AMP-D](#)).



astro-smart.com

Providing the Astronomical Community with Premier
Products, Services, and Training

Oct 2016

Life Time Warranty

All products are guaranteed to the original purchaser to be free from defects in material and workmanship for the life of the product from the date of original purchase. Simply put, once you buy a Astro-Smart product we make sure it works for as long as you keep the product for free upgrades of software and firmware for the product. Warranty coverage excludes normal wear and tear, or damage caused by improper installation, any modification, abuse, misuse, improper maintenance, and unauthorized repairs or modifications to the original product. Shipper is responsible for proper packaging, shipping and insurance on applicable upgrades or repair items. . Upon receipt of returned product, Astro-Smart will assess the item/s to determine if they comply with the conditions of our warranty. Astro-Smart is not responsible for damage caused by the freight carrier, i.e.: USPS, UPS, FED EX, etc., to our product. A claim to repair or replace the product must be initiated by the recipient. In no event shall Astro-Smart be liable for any claim for incidental or consequential damage arising out of or in connection, manufacture, delivery or use of any product offered on this website or by information received by US mail, E-mail, data files or fax.

Return Policy

Merchandise must be returned in new (mint) condition within 30 days of receipt for exchange/refund which may be subject to 20% restocking charge (Shipper is responsible for proper packaging, shipping, and insurance.). We must receive the returned merchandise within 30 days of the date you received it. All items must be in new (mint) condition. Returned items cannot show evidence of use or wear, dirt, or blemishes of any kind. Merchandise must be returned in its original packaging and should include all supplied materials, instructions, original accessories, hardware, and any CD software disks provided. Software purchases via email or download since released are non-refundable. Astro-Smart is not responsible for lost or damaged packages. Return shipping costs are the responsibility of the customer. Any returned items must be in "as new" condition. We ask that you open and inspect your order upon receipt. No insurance or damage claims will be accepted more than 3 days after delivery. All customers MUST email Astro-Smart before returning products for warranty or repair to get an RMA# (Return Merchandise Authorization).